

# RICMOTECH™

HIGH PERFORMANCE  
SIM-RACING EQUIPMENT

## APX Television Stand Assembly Guide



**Tools needed:**

½" Wrench

5/16" Wrench

#2 and #3 Phillips Screwdriver

Tape Measure

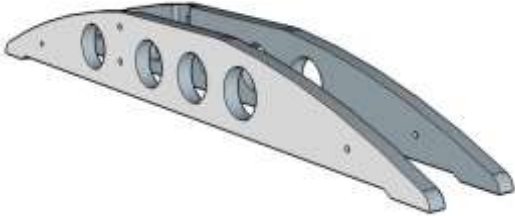

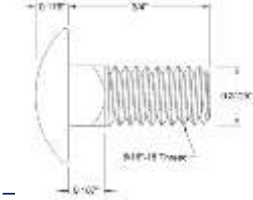
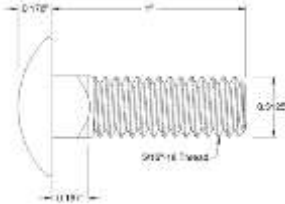



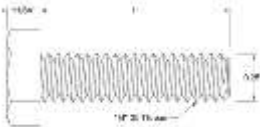
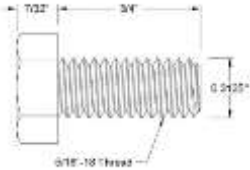
Blanket or other soft surface to work on


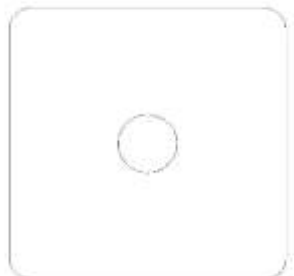

Please call us if you have any problems during the  
assembly process.

305-417-9241

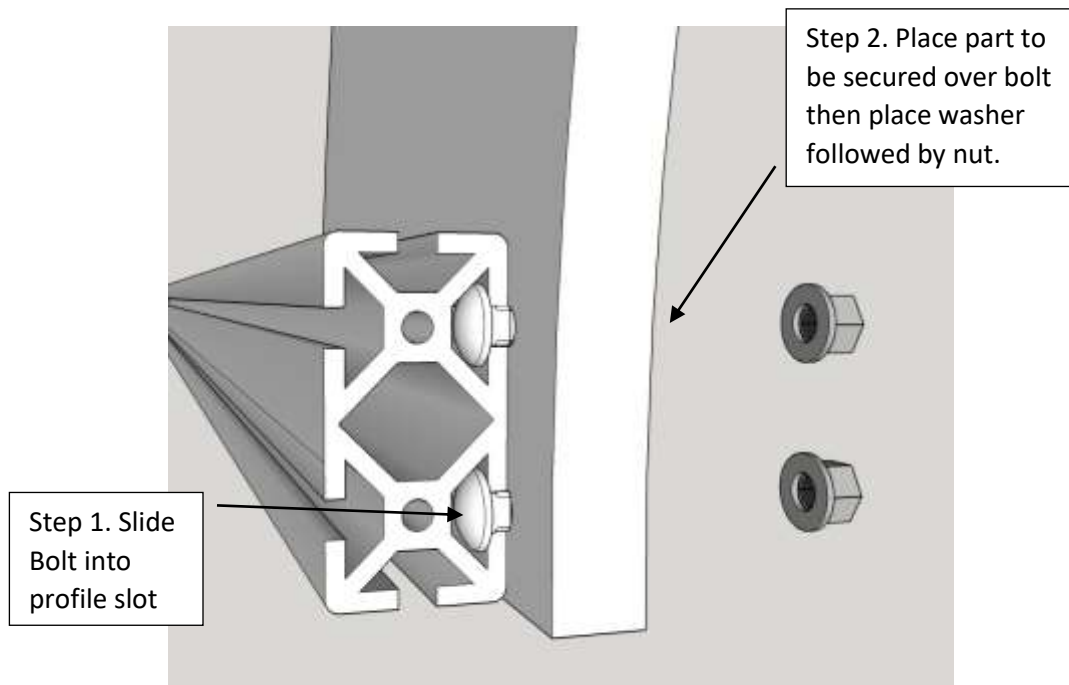
Due to constant improvements to our products, the product you receive may vary slightly from the product shown in the illustrations.

### Parts Included

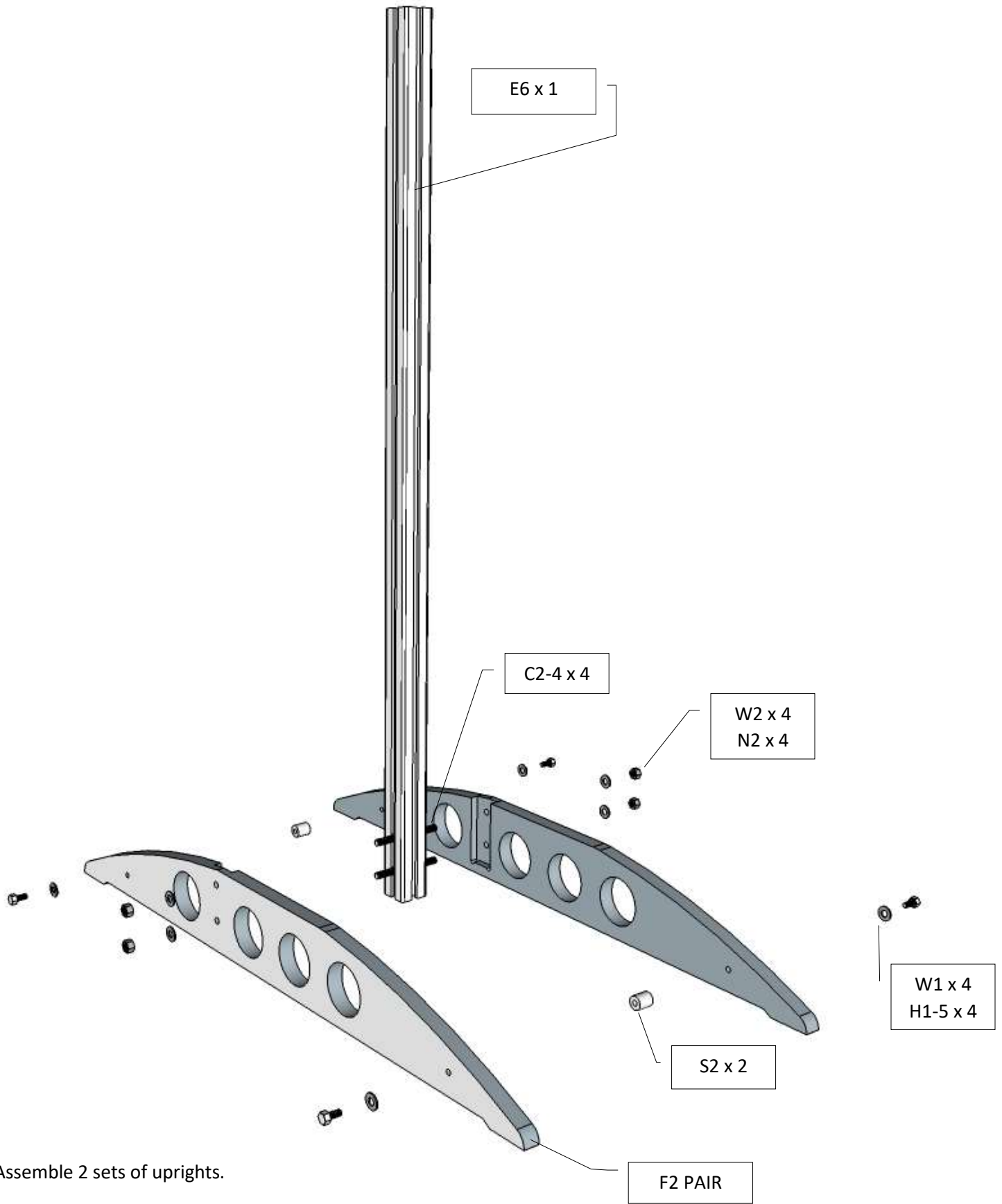
Item Code	Quantity	Item	Image
F2	2 Pair	Feet	
E6	2	Aluminum Profile 1.5" X 1.5" x 42"	
C2-1	4	Carriage Bolt 5/16-18 x 0.75	
C2-4	8	Carriage Bolt 5/16-18 x 1.00	
N2	12	Hex Nut 5/16-18	
W1	8	Flat Washer 1/4	
W2	14	Flat Washer 5/16	
H1-5	8	Hex Bolt 1/4-20 x 1.00	
H2-1	2	Hex Bolt 5/16-18 x 0.75	

S2	4	Threaded Spacer	
A5	2	End Cap	
DWF4585X	1	VESA Bracket	

**Typical example of how to fasten parts to aluminum profile slots.**

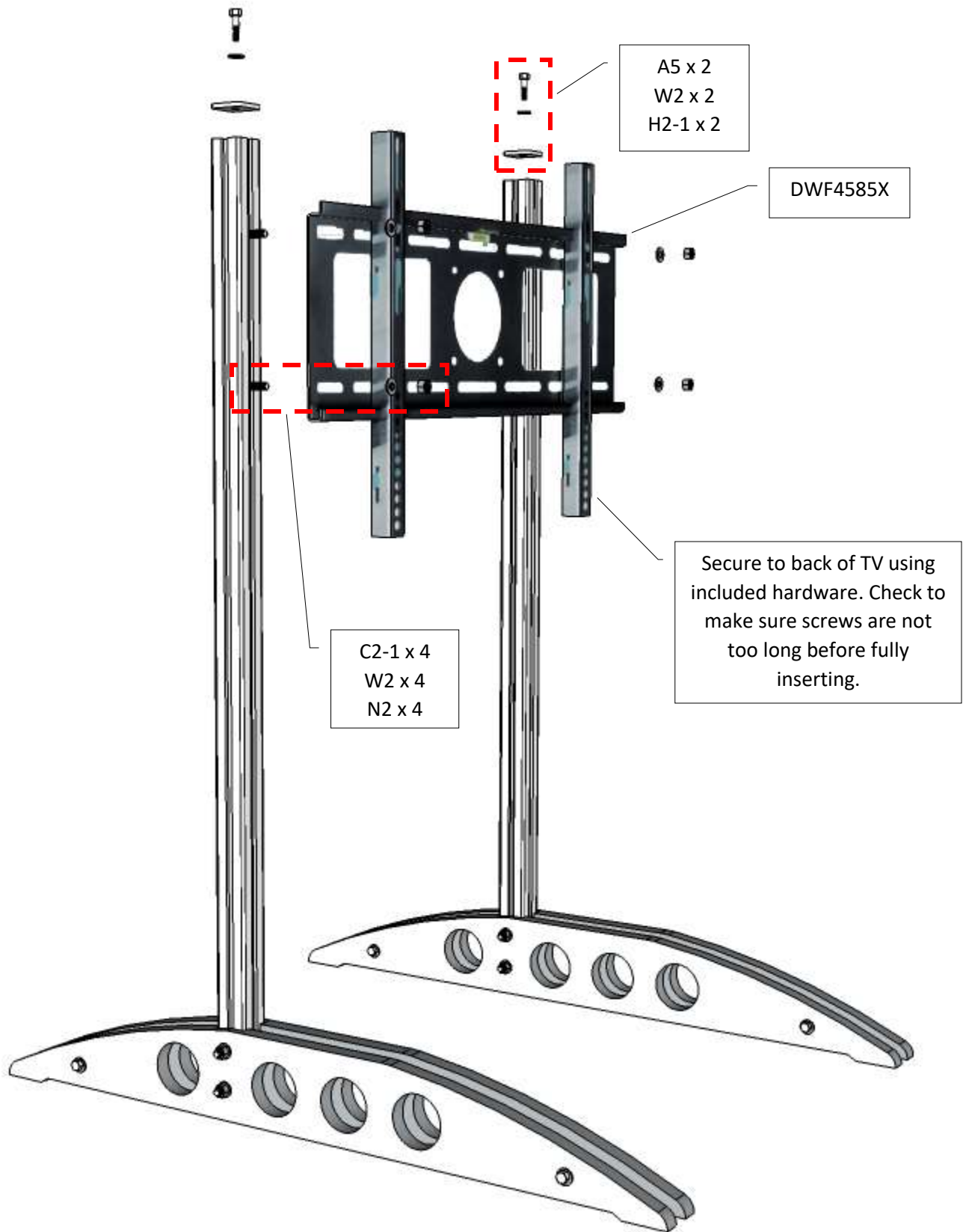


Step 1



Assemble 2 sets of uprights.

Step 2



Attach the DWF4585X backer plate to the uprights at the desired height with the legs spread sufficiently to straddle the simulator. When assembling the stands for the left and right displays set the legs closer together to prevent the feet from stepping on each other.

Finish by inserting the caps to the top of the uprights and securing with the H2-1 bolt and W2 washer.

When mounting the TV to the brackets, first check the available depth of the screw hole on the back of the TV and compare that to the length of the screw you intend to use. Use washers or spacers as needed to prevent the screw from going too far into the TV.

**WARNING!**

**Due to the variety of displays/TVs that may be used with this stand, please make sure the stand is stable after mounting the displays. If you feel the stand may fall over accidentally, please take steps to anchor it to your rig.**